

# 商佑不銹鋼橫向伸縮接頭

STAINLESS STEEL UNIVERSAL EXPANSION JOINT

## ▲SF-800 系列

### ◎ 說明

橫向伸縮接頭的功能在於吸收軸直角方向的位移，按裝時應與管線位移成90° 垂直，又為維持其正常動作，請勿任意調整或移動螺絲。

### ◎ INSTRUCTION

Universal expansion joint should be installed offset to absorb the movement. When install, it must be at the fully extended length and at 90° to the line of movement. The tie rods can't be adjusted or removed for ensure the proper functioning of the unit.

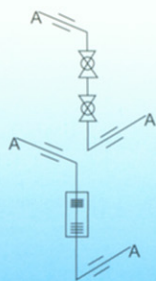
### ◎ 構件 CONSTRUCTION

ITEM	PARTS	MATERIAL	REMARK
1	BELLOWS	SUS304	SUS316(OPTION)
2	FLANGE	SS400	SUS304(OPTION)
3	MIDDLE TUBE	SGP	SUS304(OPTION)
4	TIE RODS	SS-41	SUS304
5	SEAL RING	SUS304	

\*Flange with ANSI, JIS, DIN, B.S. Standard.

### ◎ 應用

可用於建築伸縮縫之位移補償

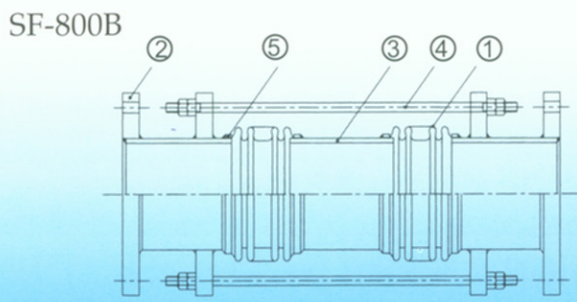
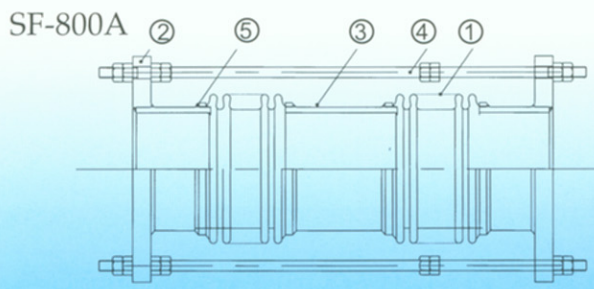


#### 雙平面系統

可取代兩個羅盤式接頭以吸收平面的軸直角位移（如左圖）

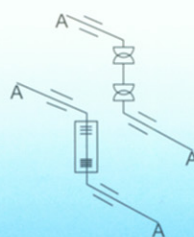
#### Two Plane System

It can instead of two gimbal joint, maybe used in the offset pipe as shown.



### ◎ APPLICATION

Suitable for using displacement compensate of building expanded joint.



#### 單一平面系統

可取代兩個鉸鏈式接頭，以吸收軸直角方向位移（如左圖）

#### One Plane System

It can instead of two hinged joint to absorb the movement.

## ◎ SF-800 系列性能規格表 SPECIFICATION

◎ 下述工作壓力以常溫25°C為基準

Nominal Bore 口徑		Max. Working 最大工作壓力	Bellows Outside Diameter 外徑	Force to Deflect Max. 最大位移時之橫向力	Length to ±25mm Lateral Mvmt 橫向位移±25時之總長	For each Extra ±25mm 在增±25時之增加長度
mm	Ins	Kg/cm <sup>2</sup>	mm	Kg	mm	mm
50	2	20	70	4.0	600	210
65	2-1/2	20	86	10.6	600	210
80	3	20	101	8.1	700	210
100	4	20	129	8.9	700	210
125	5	20	157	28.7	750	210
150	6	20	185	37.7	750	210
200	8	20	243	73.3	800	210
250	10	20	297	265	800	240
300	12	20	348	205	1000	360
350	14	10	380	266	1000	360
400	16	10	460	432	1000	360
450	18	10	510	451	1200	480
500	20	10	561	470	1200	480
600	24	10	663	791	1200	480

\*口徑26" 以上規格另行提供。

\* The specifications are more than caliber 26" to be provided separately.